



## SS10 Hot Melt Unit

### Innovative Dispensing Technology

The SS10 melt unit is the industry's best small melt unit and designed with a constant speed direct drive motor/pump combination, and an adjustable output control. This motor/pump drive train is industry proven and offers years of maintenance free performance. Capable of 2 hose/gun connectors for automatic or hand held applications, the SS10 is a powerful hot melt unit that provides solutions to a wide variety of adhesive applications.

#### Accuracy

Equipped with a LCD temperature TC500 controller, the SS10 uses platinum RTD sensors for complete control of all temperature zones.



#### Longevity

The cylindrical, Teflon lined tank design maximizes shelf life and adhesive performance.



#### Flexibility

The SS10 supports up to (2) hoses & guns; pneumatic, electric, or manual, for bead and/or swirl spray patterns.



The SS10 hot melt unit is equipped with the industry favorite TC500 and offers more for less!

- All temperature zones displayed on one screen.
- Programmable 7-day clock for automatic start-up and shut-off.
- Temperature protection for all zones and will shut down main circuit breaker if any zone is over temperature.
- Diagnostic features that alert operator to any changes in performance or safety conditions.
- All temperature zones range from 40°F - 450°F.



**SS10 Technical Data**

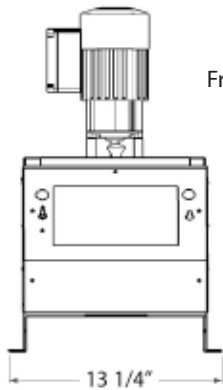
| System                        | SS10 (120V)        | SS10 (240V)        |
|-------------------------------|--------------------|--------------------|
| Tank Capacity                 | 10 lbs.            |                    |
| Melt Rate                     | 10 lbs/hr          |                    |
| Pump Rate                     | 64 lbs/hr          |                    |
| Temperature Range             | 40°F - 450°F       |                    |
| Ambient Temperature Range     | 20°F - 122°F       |                    |
| Temperature Control Stability | ± 1°F              |                    |
| Hose/Applicator Capacity      | 2                  |                    |
| Maximum Melter Power          | 1,800 watts        | 3,600 watts        |
| Electrical Service            | 120VAC 50/60Hz 15A | 240VAC 50/60Hz 20A |
| Viscosity (Maximum CPS)       | 25,000             |                    |
| Weight (empty)                | 60 lbs             |                    |
| Dimensions W x H x D in.      | 13.1 x 21.5 x 18   |                    |
| Mounting in.                  | 14.9 x 12.1        |                    |
| Approvals & Certifications    | CE                 |                    |

\* Melt Rates vary based on adhesive type

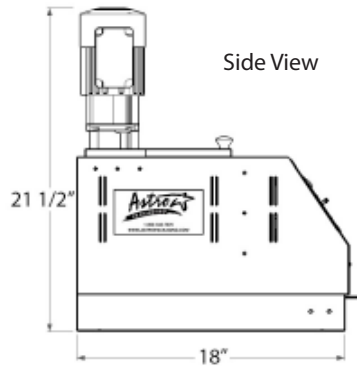
**Optional Add-Ons**



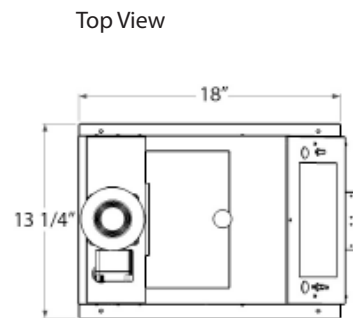
| Astro # | Description                       | Price    |
|---------|-----------------------------------|----------|
| 99786   | Hose Boom & Balancer              | \$372.00 |
| RF-8    | Tool Balancer                     | \$289.00 |
| 99786-C | Hammock (w/ hardware)             | \$111.00 |
| DSC2436 | Service Cart, Deck Style, 24"x36" | \$419.00 |



Front View



Side View



Top View