



Switched L4 Handgun

All Electric, Impact Resistant Handgun Applicator

The L4 Handgun is a lightweight, manually operated applicator for hot melt adhesives and other thermoplastic materials. A flexible heated hose supplies hot melt adhesive from the melt unit to the handgun. L4 Handguns are available in high temperature models that are rated for high temperatures and more rigorous applications.

The “switched” L4 handgun has pump/motor control within the handgun trigger and activates the pump and motor only when the trigger is pulled. The ability to control pump and motor activity maximizes the performance and extends the lifetime of the pump while also providing a much safer environment for operators.

○ Precision

Clean cut-off and material placement with trigger switch activation and Astro nozzles. RTD sensors for precise temperature control.

○ Durability

Built with impact resistant high-heat plastic for the most dependable and durable manual hot melt applicator.

○ Flexibility

The L4 spray kit adapter allows for spray or bead applications. Available in 120V/240V RTD or T-Stat configurations



Swirl Spray Adapter Kits

Astro #	Description	Price
79530	Kit, Swirl Spray Adapter, Regular	\$579.00
79531	Kit, Swirl Spray Adapter, Regular, Down Apply	\$653.00
79530-55	Kit, Swirl Spray Adapter, Wide	\$579.00
79531-55	Kit, Swirl Spray Adapter, Wide, Down Apply	\$653.00



Watch Video!
Scan the QR code to see swirl spray handguns in action!

Swirl Spray Adhesive Pattern



L4 Handgun Details

Specifications:

Handgun Weight

1.75 lbs. (0.8 kg)

Handgun Swivel

Unswitched: 360° Continuous

Switched: Restricted to 360°

Temperature Control:

Thermostat Models:

Handgun:

Preset fixed thermostat in handgun body.
Select 25°F increments from 200-450°F

Hose:

Capillary bulb in hose with adjustable
thermostat in melt unit.

Solid State Models:

Handgun:

RTD sensor located in handgun body. Full
range solid state temperature controller
located in melt unit.

Hose:

RTD sensor located in hose. Full range
solid state temperature controller located
in melt unit.

Performance:

Operating Temperature

100-450°F

Operating Pressure

Maximum 500 PSI (10,34 kPa)

Warm-Up Time

30-45 Minutes

Viscosity

Maximum 25,000 cPs

Electrical:

Voltage

120V, 240V

50/60 Hz, Single Phase

Power Requirements:

Handgun:

80W Cartridge Heater

Hose:

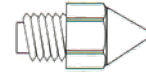
8 FT 200W

12 FT 300W

16 FT 400W

Nozzle Options:

Standard Nozzles



0.020 in.

0.030 in.

0.040 in.

0.060 in.

0.090 in.

Extended Nozzles



0.042 in.

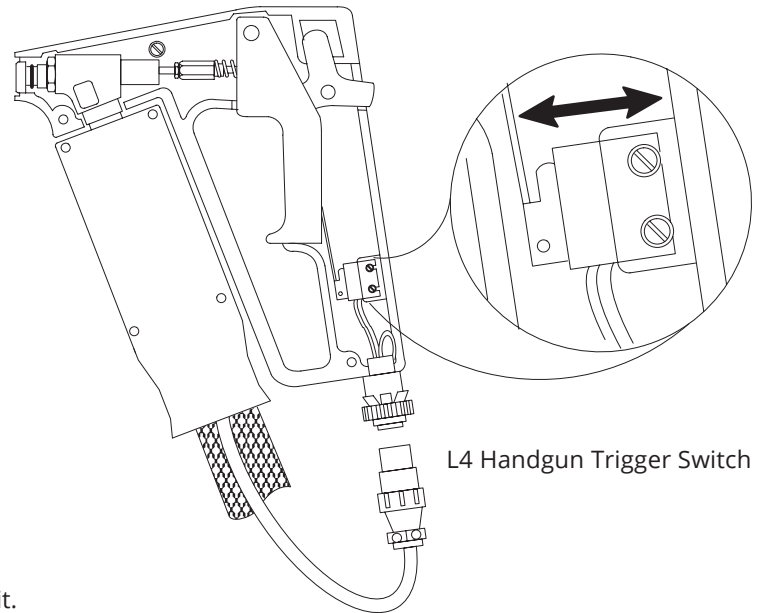
0.062 in.

0.090 in.

0.130 in.



L4 Handgun with down apply adapter kit.
Part # 79302-01



L4 Handgun Trigger Switch