



## SS10 HOT MELT SYSTEM

The SS10 Hot Melt adhesive unit is designed with a constant speed direct drive motor/pump combination, and an adjustable output control. This extremely reliable melt unit holds 10 lbs. of adhesive. The cylindrical teflon lined tank design virtually eliminates any possibility of char build up with an integrated melt fin design to ensure consistent pump rates due to the flow through grid design. Capable of 2 hoses and 2 applicators, the SS10 includes a simple to operate new TC500 temperature controller.

### SS10 FEATURES

- Supports 1 or 2 hoses and guns.
- Handguns can be bead or spray.
- Auto dispense guns can be electric or pneumatic.
- Self diagnostic P.I.D. LCD display digital temperature controller with platinum sensor accuracy.
- 110/120V and 200/240V configurations fitted with gear pump.
- (2) 24VDC outputs supplied for easy spray conversion
- Adjustable temperature and flow.



### TC500 Features

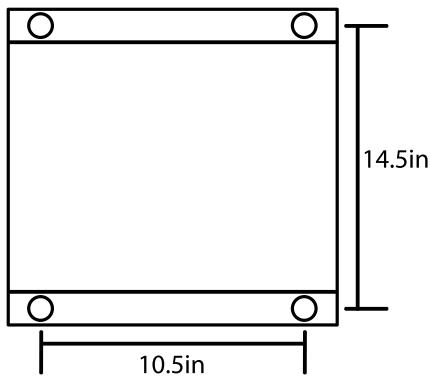
- All temperature zones displayed on one screen.
- Intuitive control and easy to operate
- Digital diagnostic with alarms
- Digital set and actual values
- Standby and sleep mode
- Automatic wakeup with sleep mode
- Clock calendar
- Status LED's
- 120 or 240 VAC
- Locking Parameters

## SPECIFICATIONS

### Dimensions

Length: 18.25in. (46.35cm)  
 Width: 13.5in. (34.3cm)  
 Height: 21.5in. (54.6cm)

Mounting Holes:



### Weight

54lbs

### Volume

10lb (4.5kg)

### Power Requirements

115V-15A  
 230V-15A

### Temperature Control

TC500 Controls:  
 Tank, Hoses, Guns  
 Maximum Temperature  
 450°F

## PERFORMANCE

### Warmup Time

30-45 minutes

### Melt rate

8lb/hr.

### Viscosity

Maximum 25,000 centipoise

### Tank Overtemperature

Thermostat Protected

### Hoses/Guns TC500

Overtemperature Protected

### Pump Pressure

100psi- 600psi max  
 44rpm motor yield  
 55lbs/hr max

## OPTIONS

Melt Grid  
 Hose Boom & Balancer  
 Deck Style Cart Mounted



Cart mounted w/ Hose Boom



Automatic Pneumatic Gun



L4



Automatic Electric Gun



DG2