

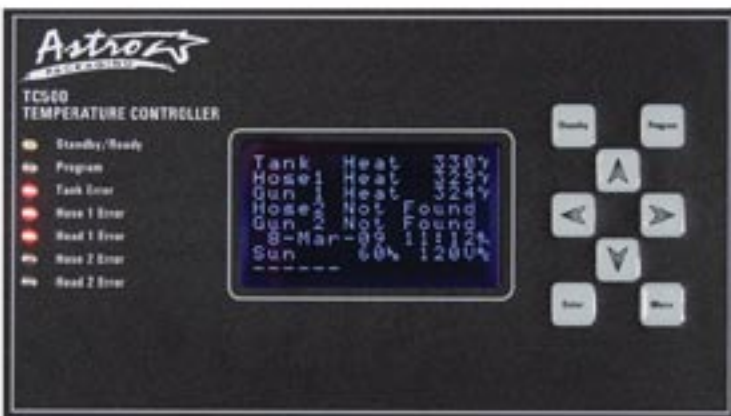


D2-15 HOT MELT SYSTEM

The D2-15 hot melt adhesive unit is designed with a constant speed direct drive motor/pump combination and adjustable output control. This extremely reliable melt unit holds 15Lbs. of adhesive. The cylindrical tank design virtually eliminates any possibility of char build up with an integrated melt fin design to insure consistent pump rates due to the flow through grid design. Capable of 2 hose and 2 applicators, the D2-15 temperature control is simple to operate. Features include alarm settings to ensure all zones are running properly.

D2-15 FEATURES

- Supports 1 or 2 hoses and guns.
- Handguns can be bead or spray.
- Auto dispense guns can be electric or pneumatic.
- Self diagnostic P.I.D. LCD display digital temperature controller with platinum sensor accuracy.
- 110/120V and 200/240V configurations fitted with gear pump.
- (2) 24VDC outputs supplied for easy spray conversion
- Adjustable temperature and flow.



TC500 Features

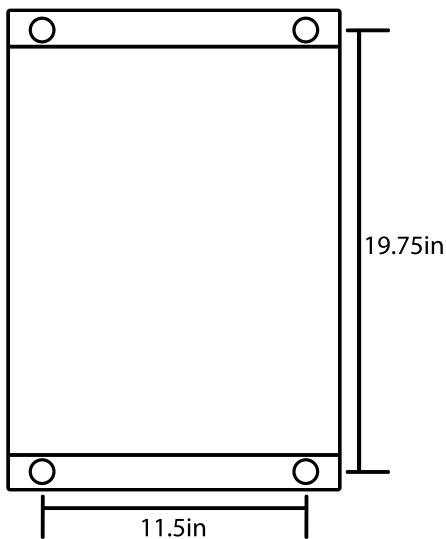
- All temperature zones displayed on one screen.
- Intuitive control and easy to operate
- Digital diagnostic with alarms
- Digital set and actual values
- Standby and sleep mode
- Automatic wakeup with sleep mode
- Clock calendar
- Status LED's
- 120 or 240 VAC
- Locking Parameters

SPECIFICATIONS

Dimensions

Length: 24in. (61cm)
 Width: 11.5in. (29.2cm)
 Height: 22.5in. (57.2cm)

Mounting Holes:



Weight

102lbs (46.4kg)

Volume

15lbs (6.8kg)

Power Requirements

115V-20A
 230V-20A

Temperature Control

TC500 Controls:
 Tank, Hoses, Guns
 Maximum Temperature
 450°F

PERFORMANCE

Warmup Time

30-45 minutes

Melt rate

19lbs/hr.

Viscosity

Maximum 35,000 centipoise

Tank Overtemperature

Thermostat Protected

Hoses/Guns TC500

Overtemperature Protected

Pump Pressure

100psi- 800psi max
 86rpm motor yield
 110lbs/hr max

OPTIONS

Hose Boom & Balancer
 Deck Style Cart Mounted



Cart mounted w/ Hose Boom



Automatic Pneumatic Gun



L4



Automatic Electric Gun



DG2